

8 7 6 5 4 3 2 1

D

D

C

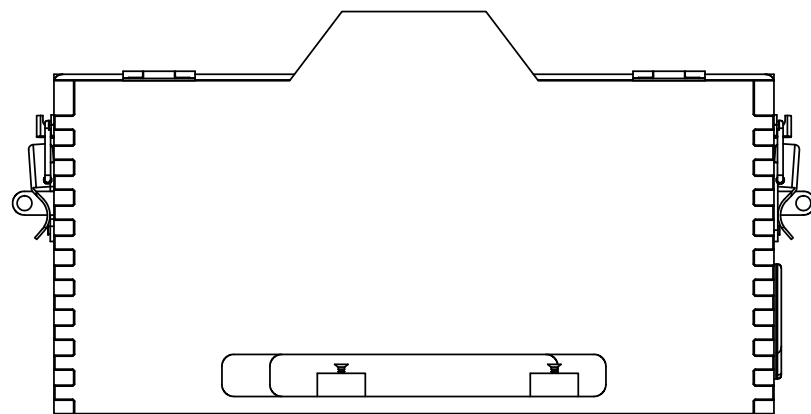
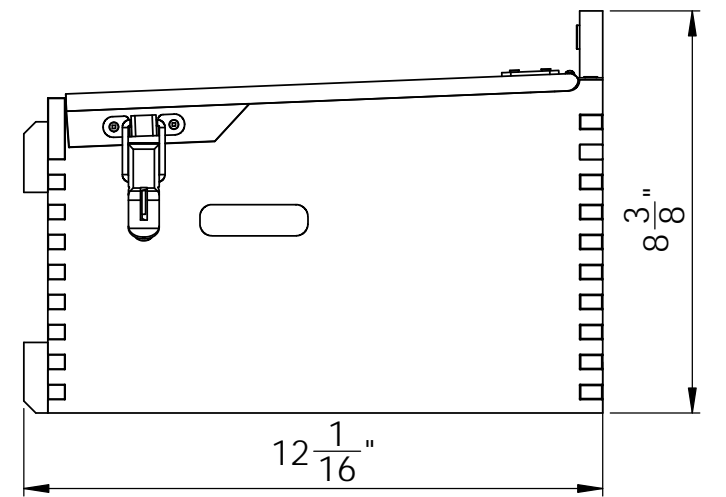
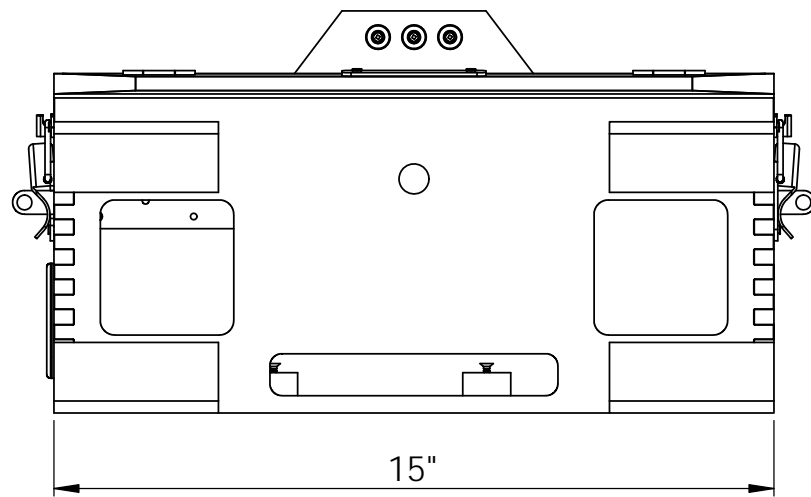
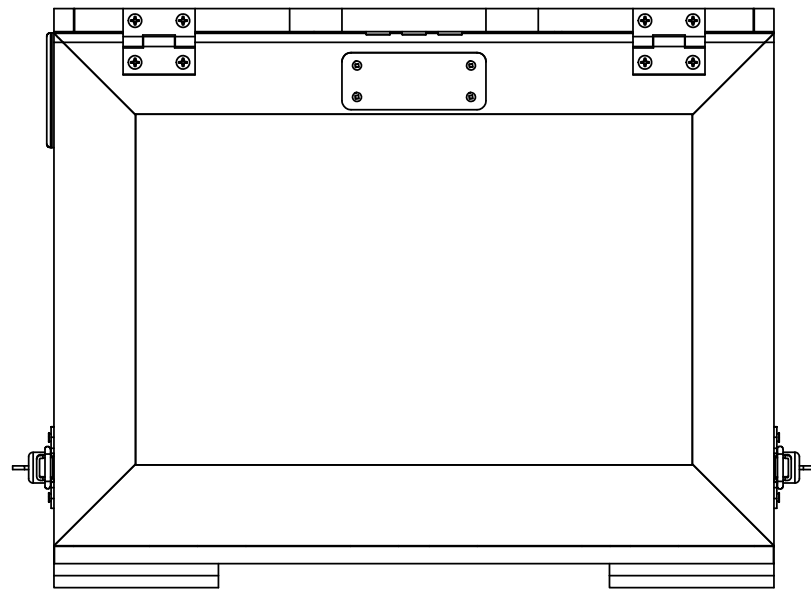
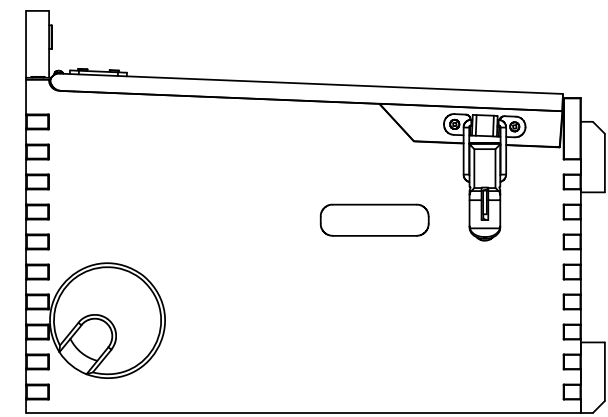
C

B

B

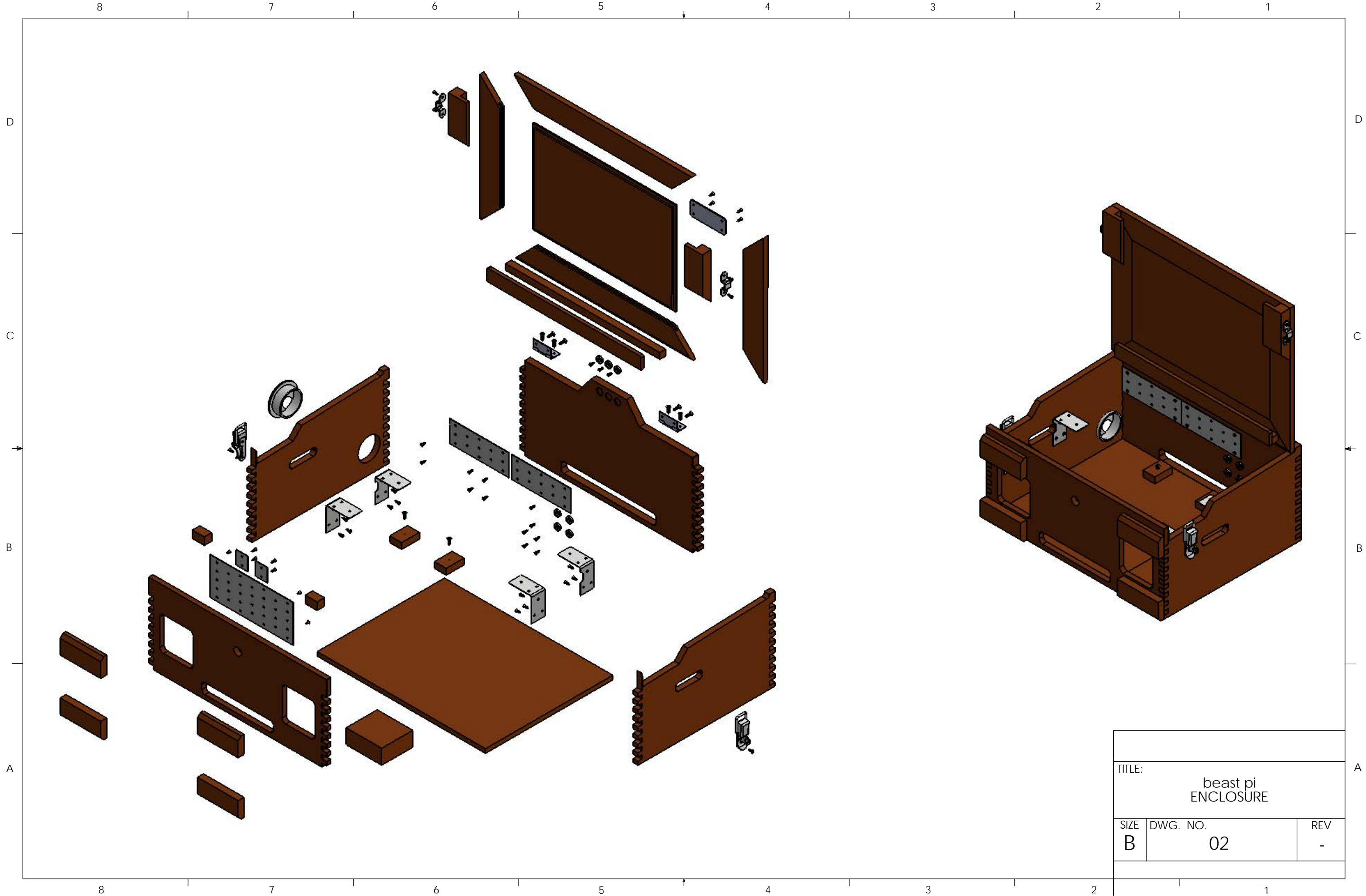
A

A

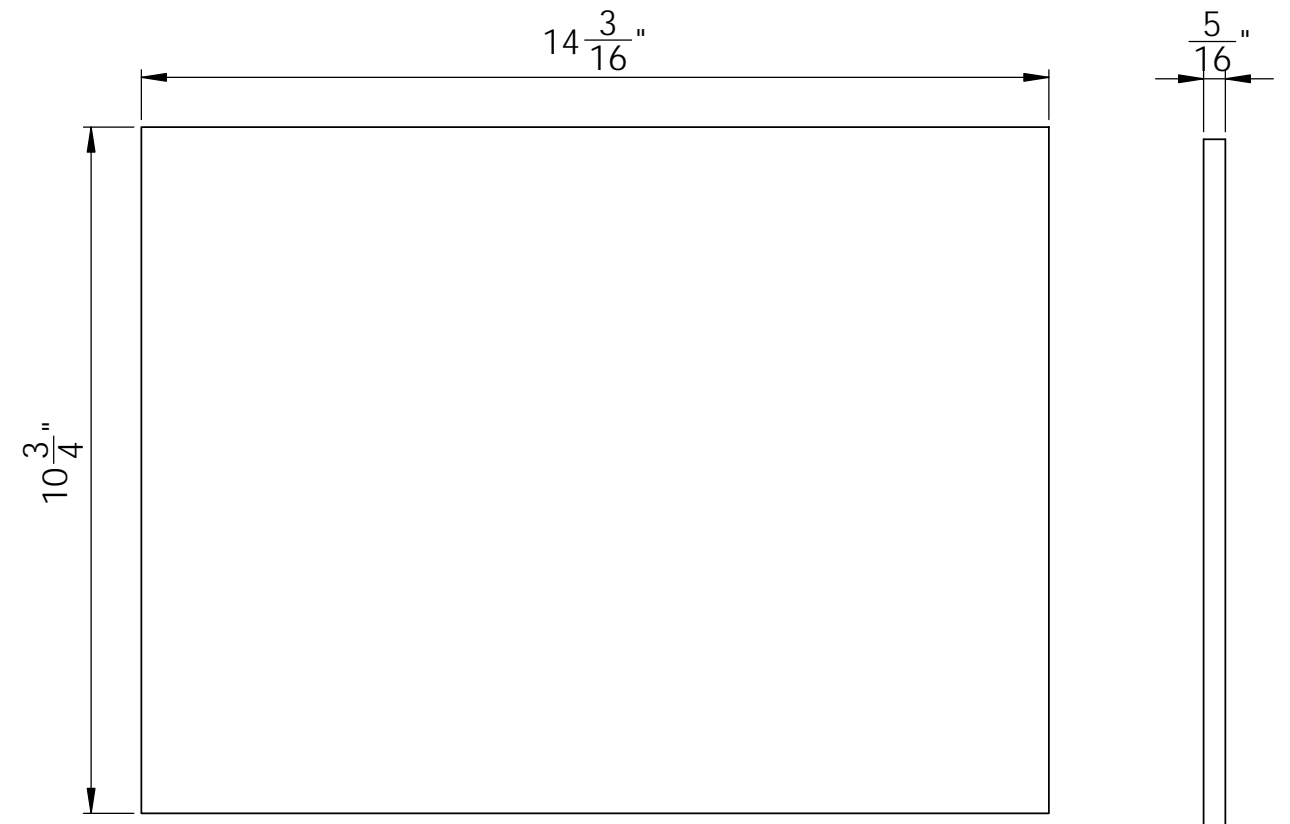
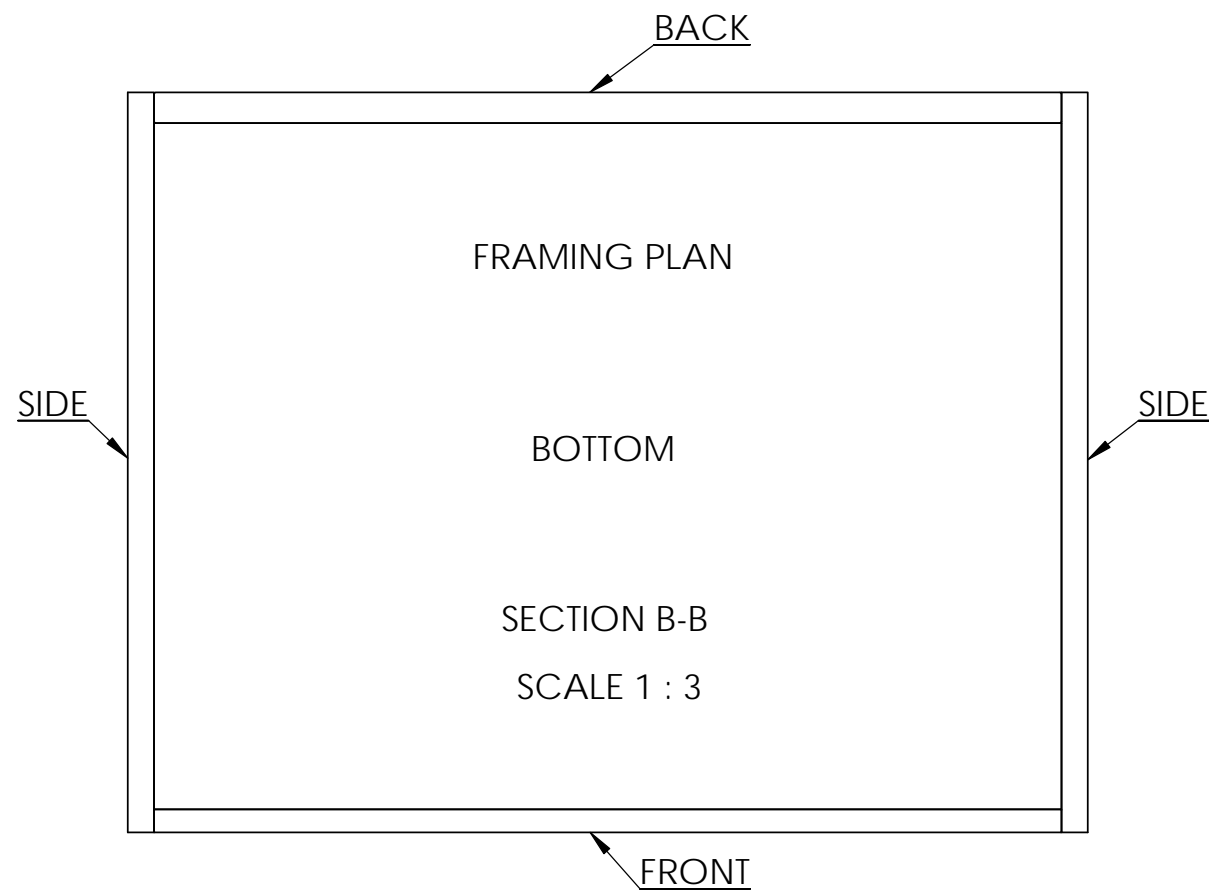
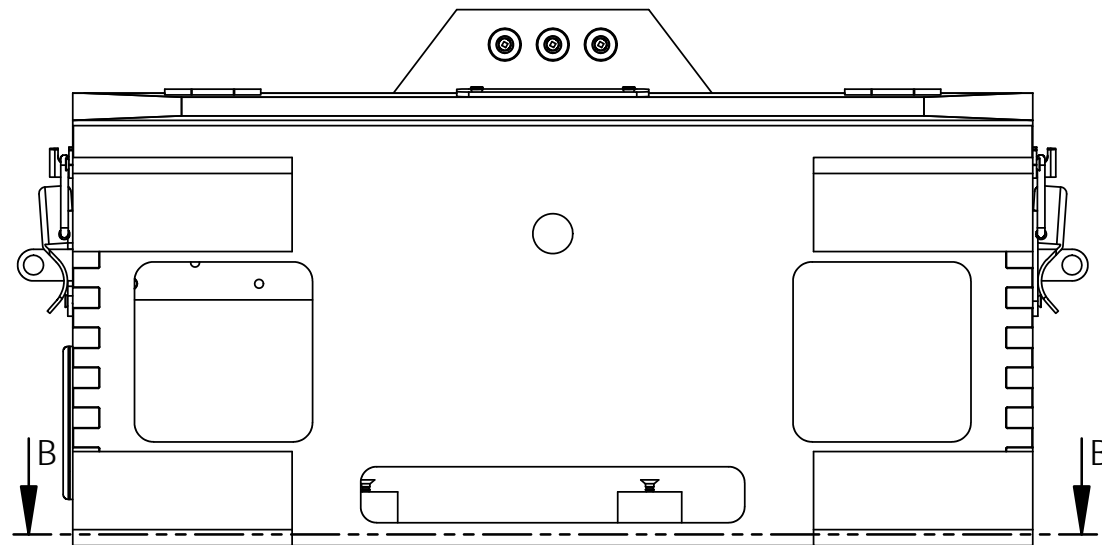


TITLE:		
beast pi ENCLOSURE		
SIZE	DWG. NO.	REV
B	01	-

8 7 6 5 4 3 2 1

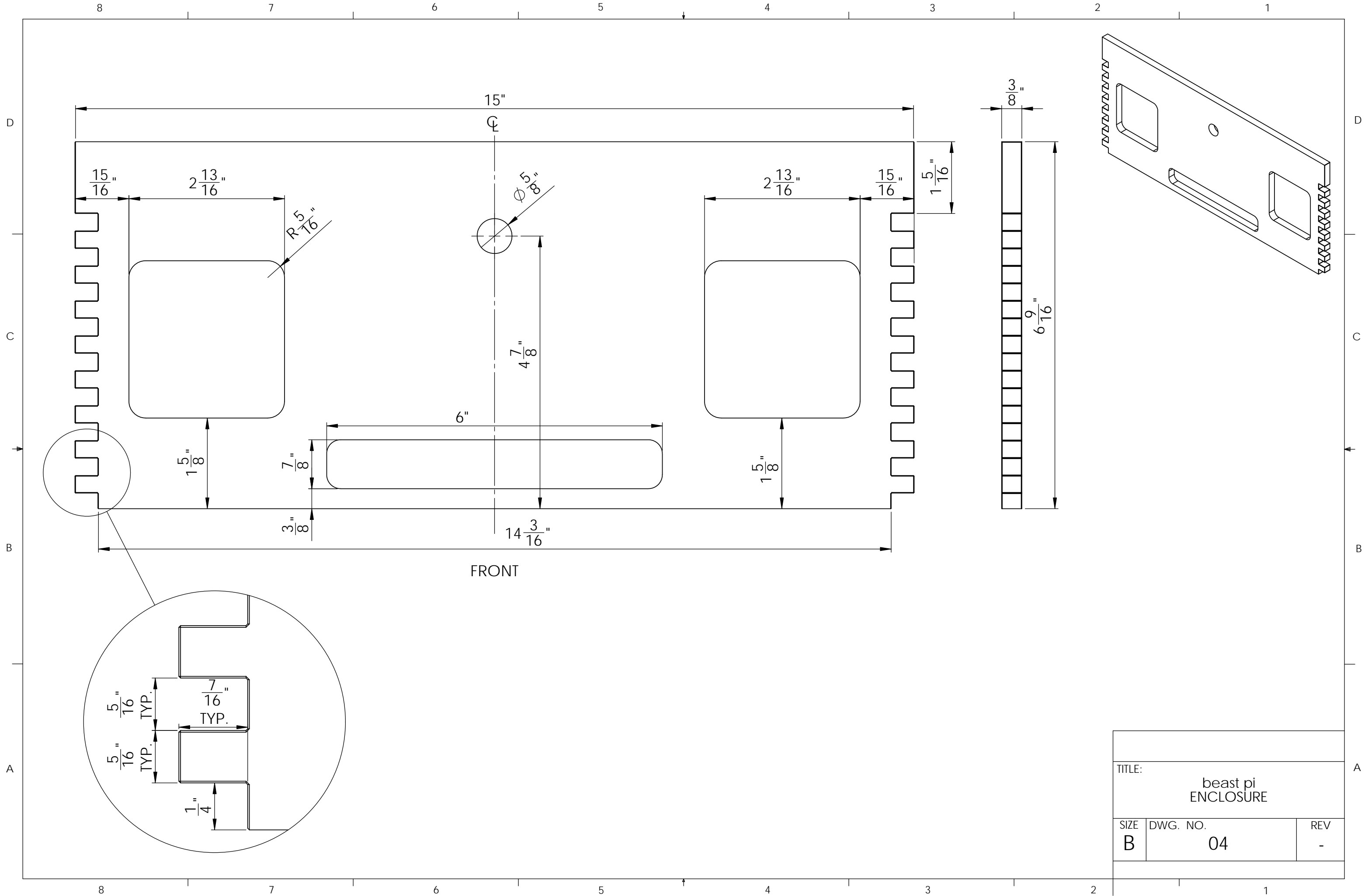


TITLE:		
beast pi ENCLOSURE		
SIZE	DWG. NO.	REV
B	02	-

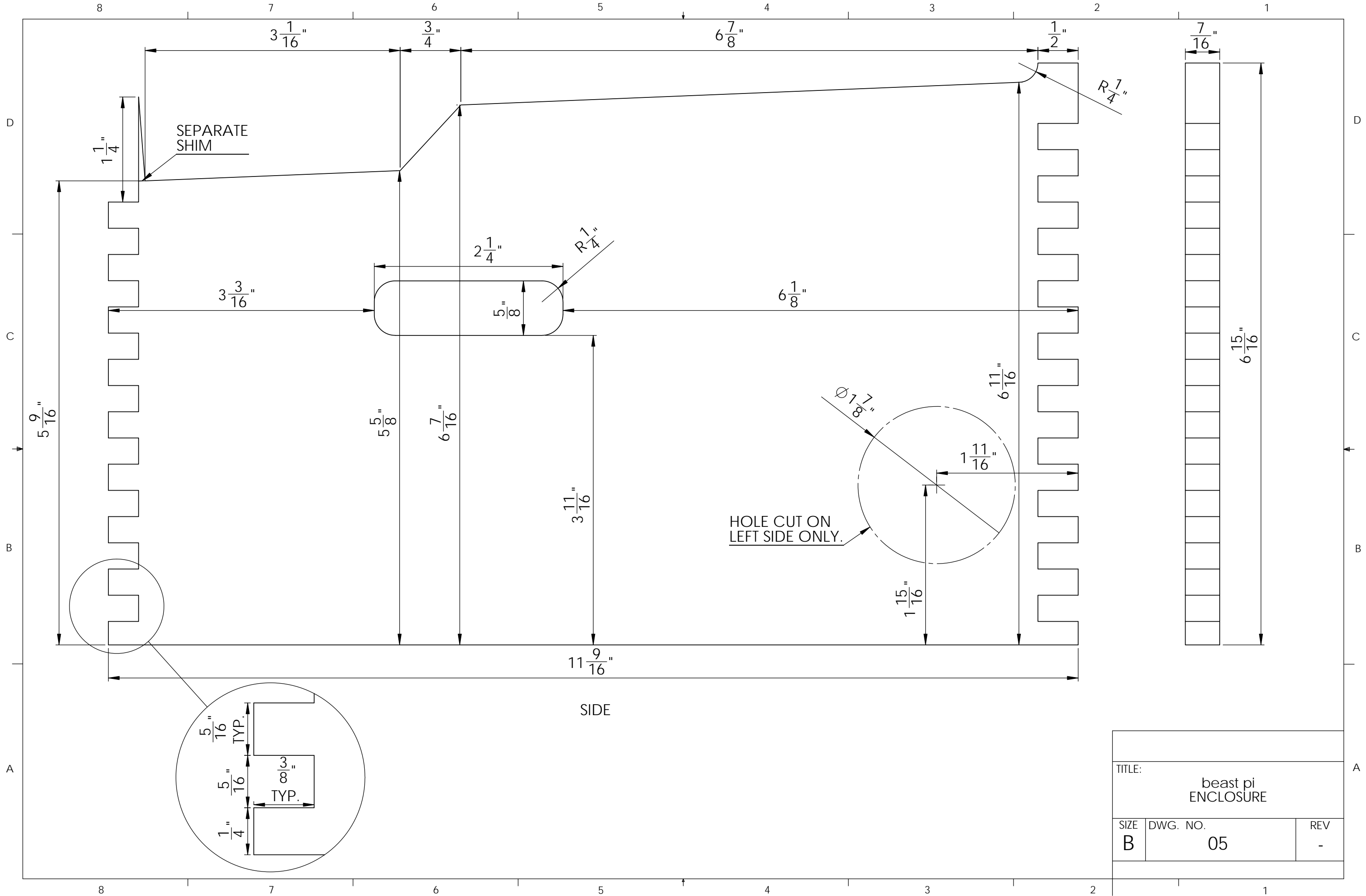


BOTTOM

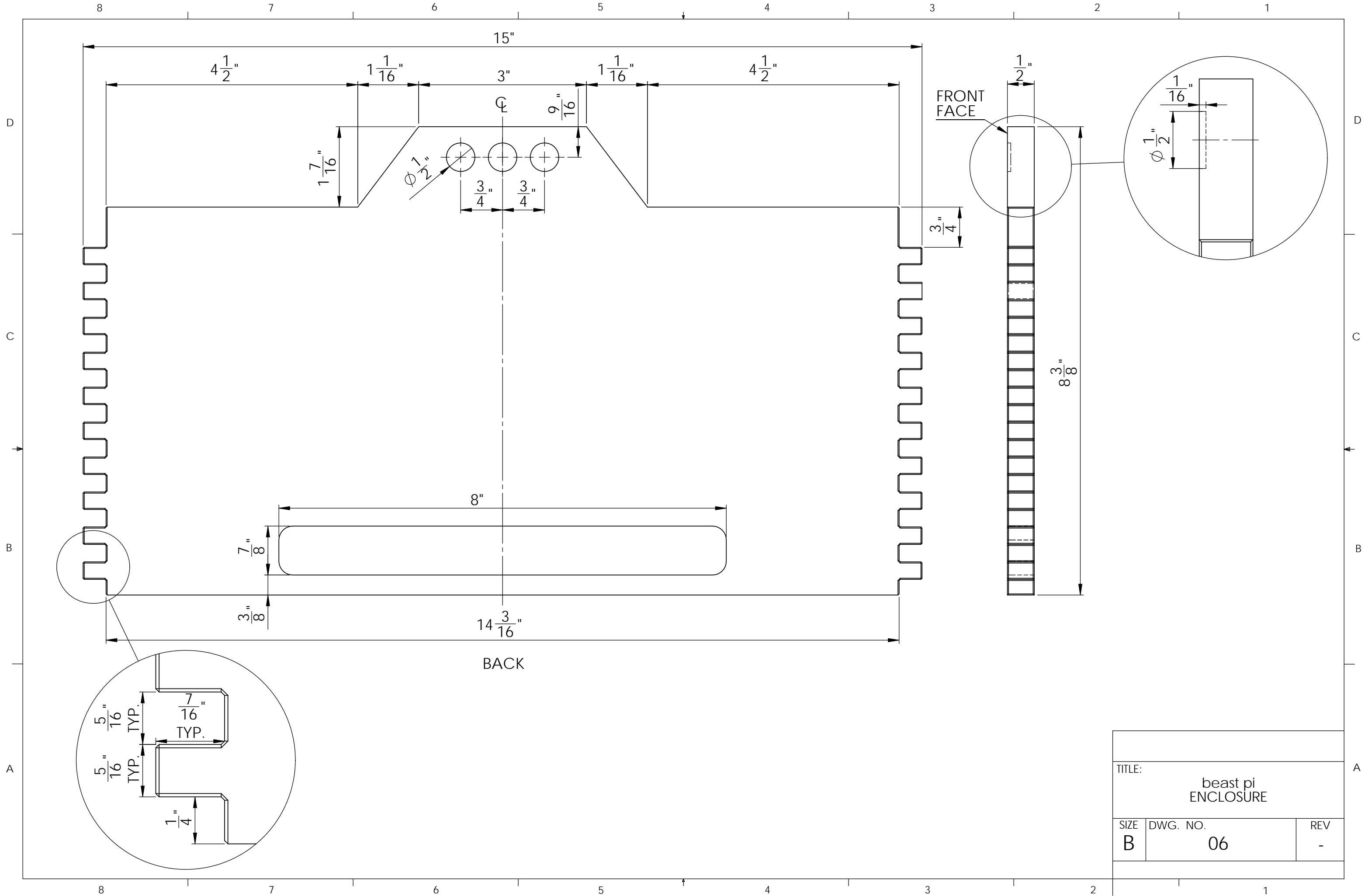
TITLE:		
beast pi ENCLOSURE		
SIZE	DWG. NO.	REV
B	03	-



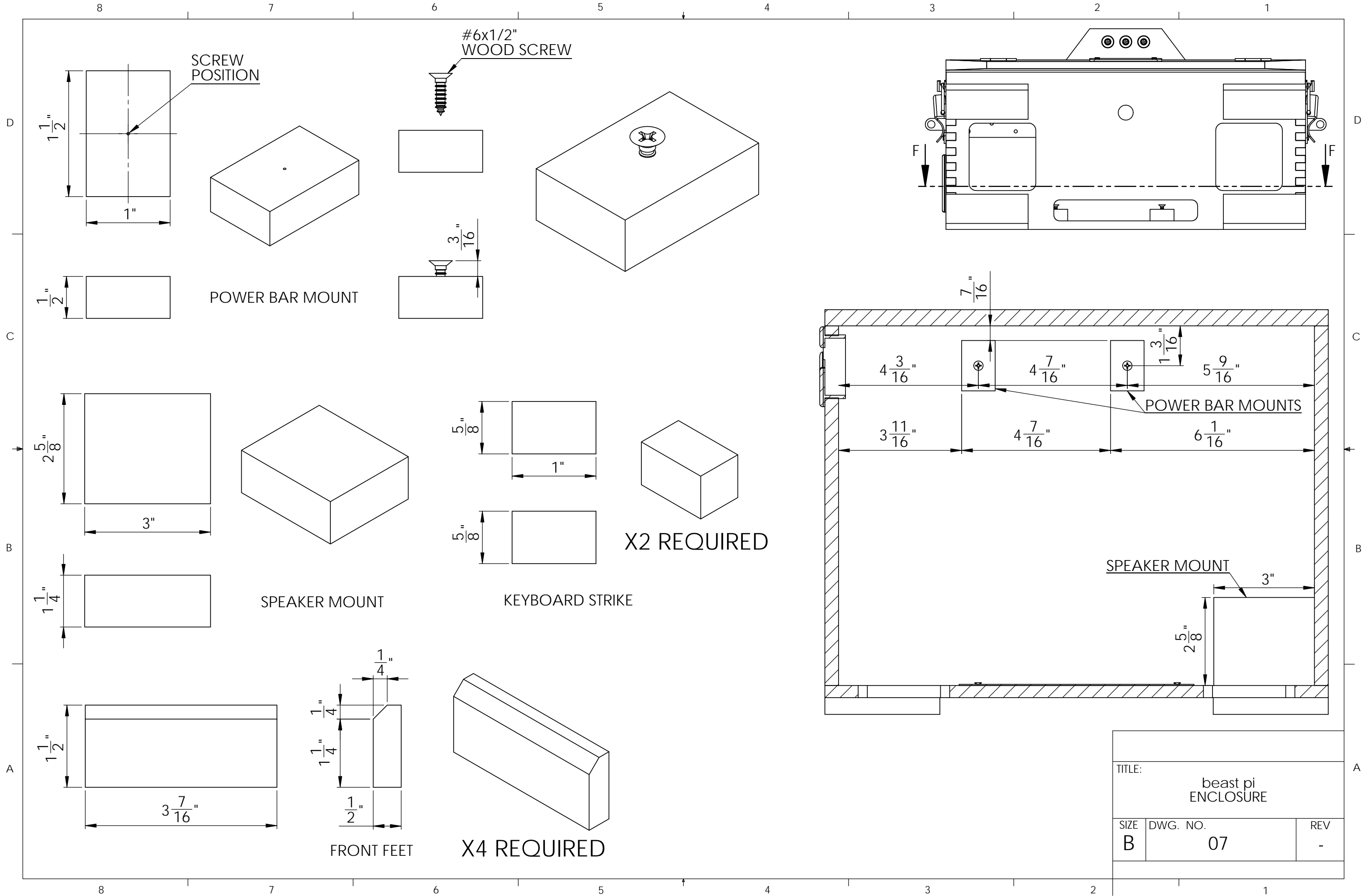
TITLE:		
beast pi ENCLOSURE		
SIZE	DWG. NO.	REV
B	04	-



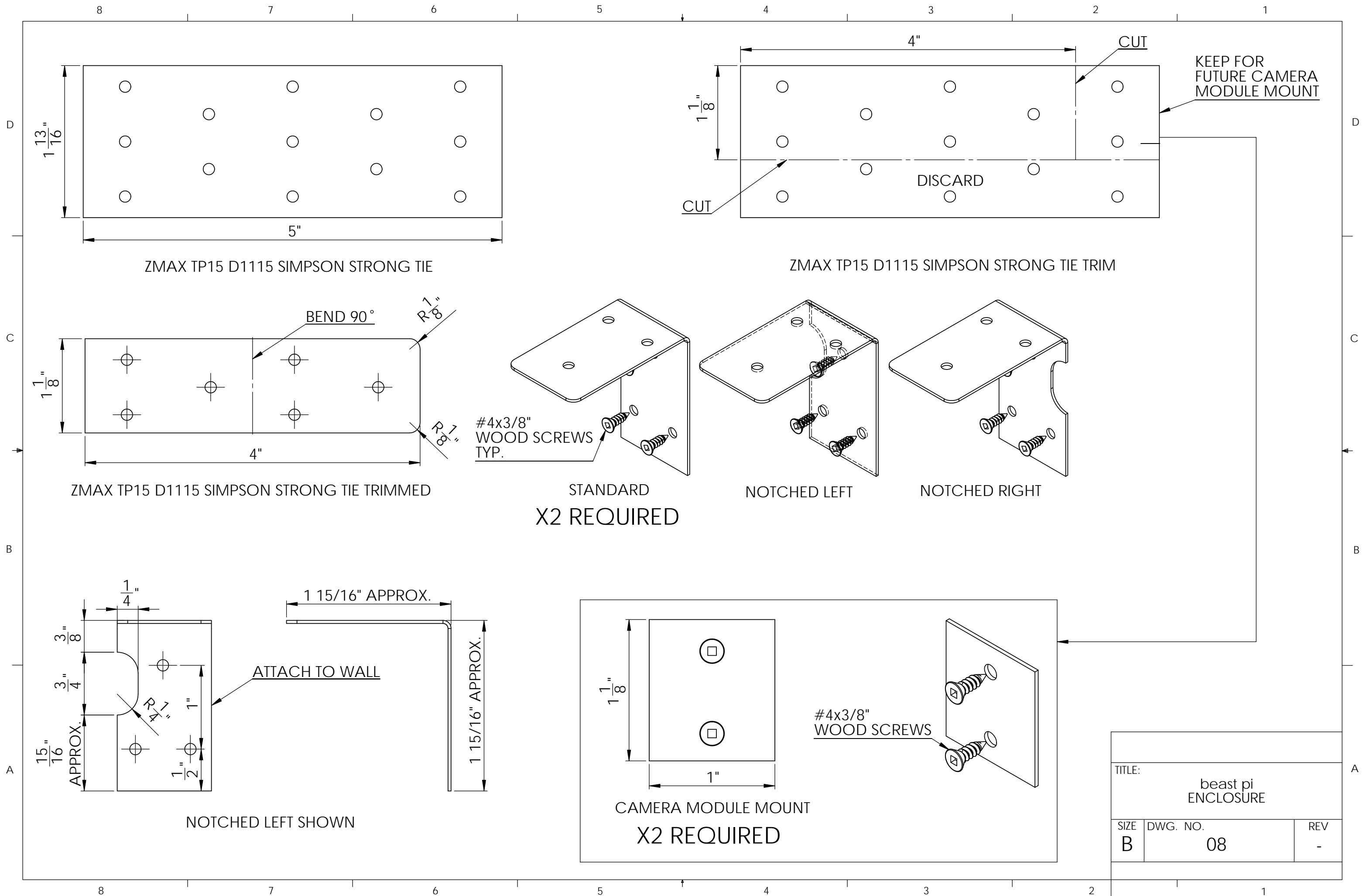
TITLE:		
beast pi ENCLOSURE		
SIZE	DWG. NO.	REV
B	05	-



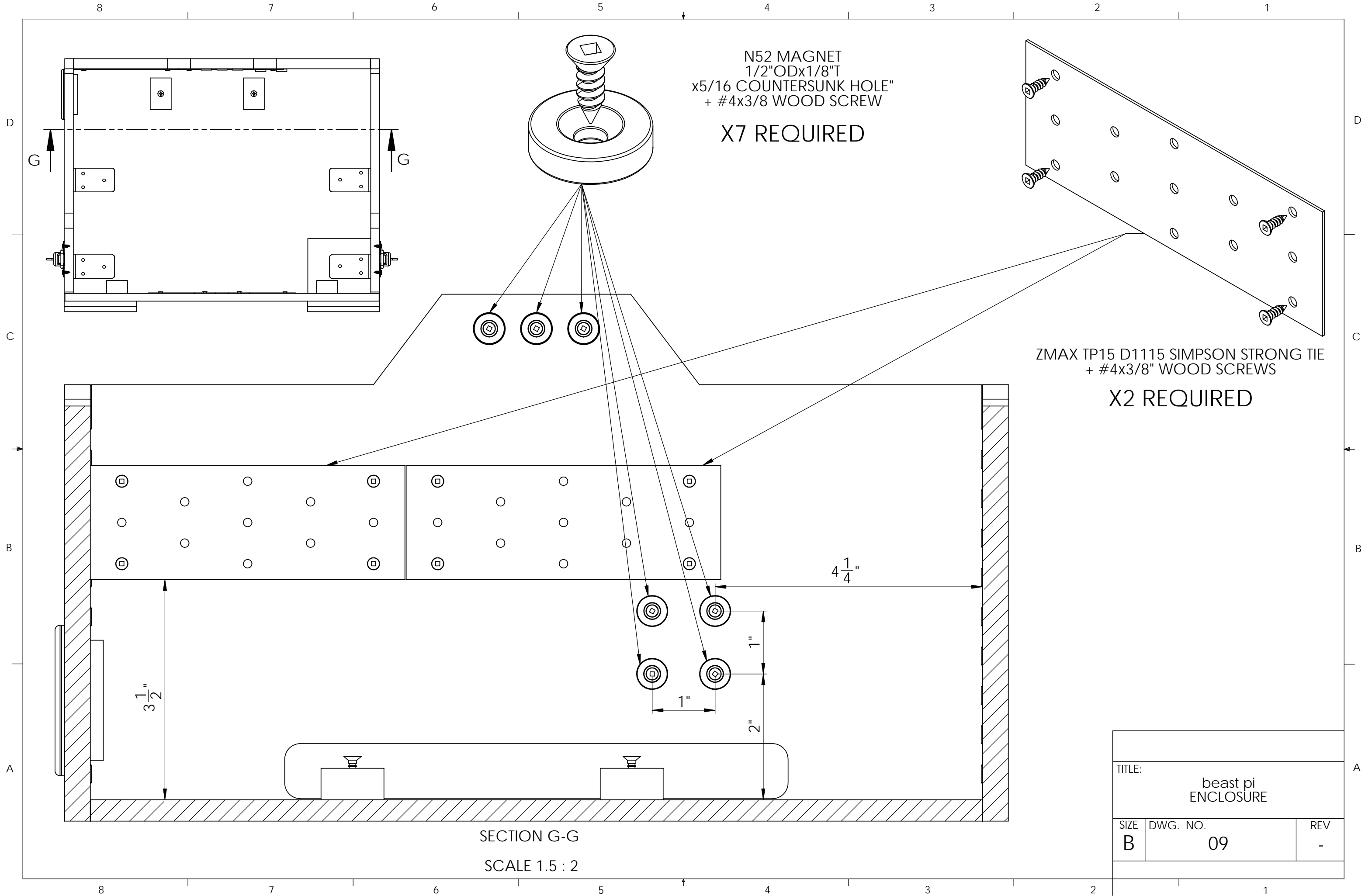
TITLE:		
beast pi ENCLOSURE		
SIZE	DWG. NO.	REV
B	06	-

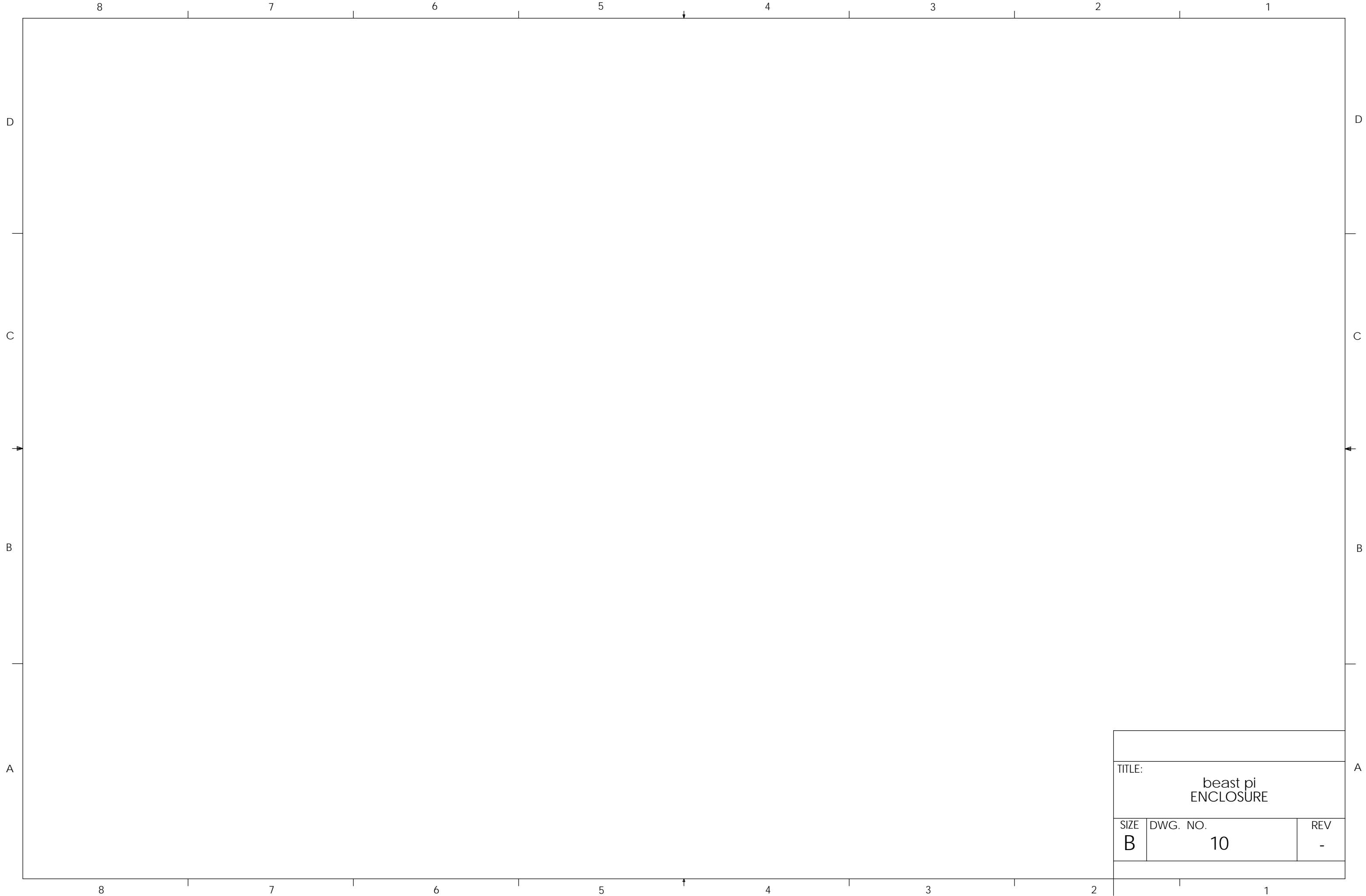


TITLE:		
beast pi ENCLOSURE		
SIZE	DWG. NO.	REV
B	07	-

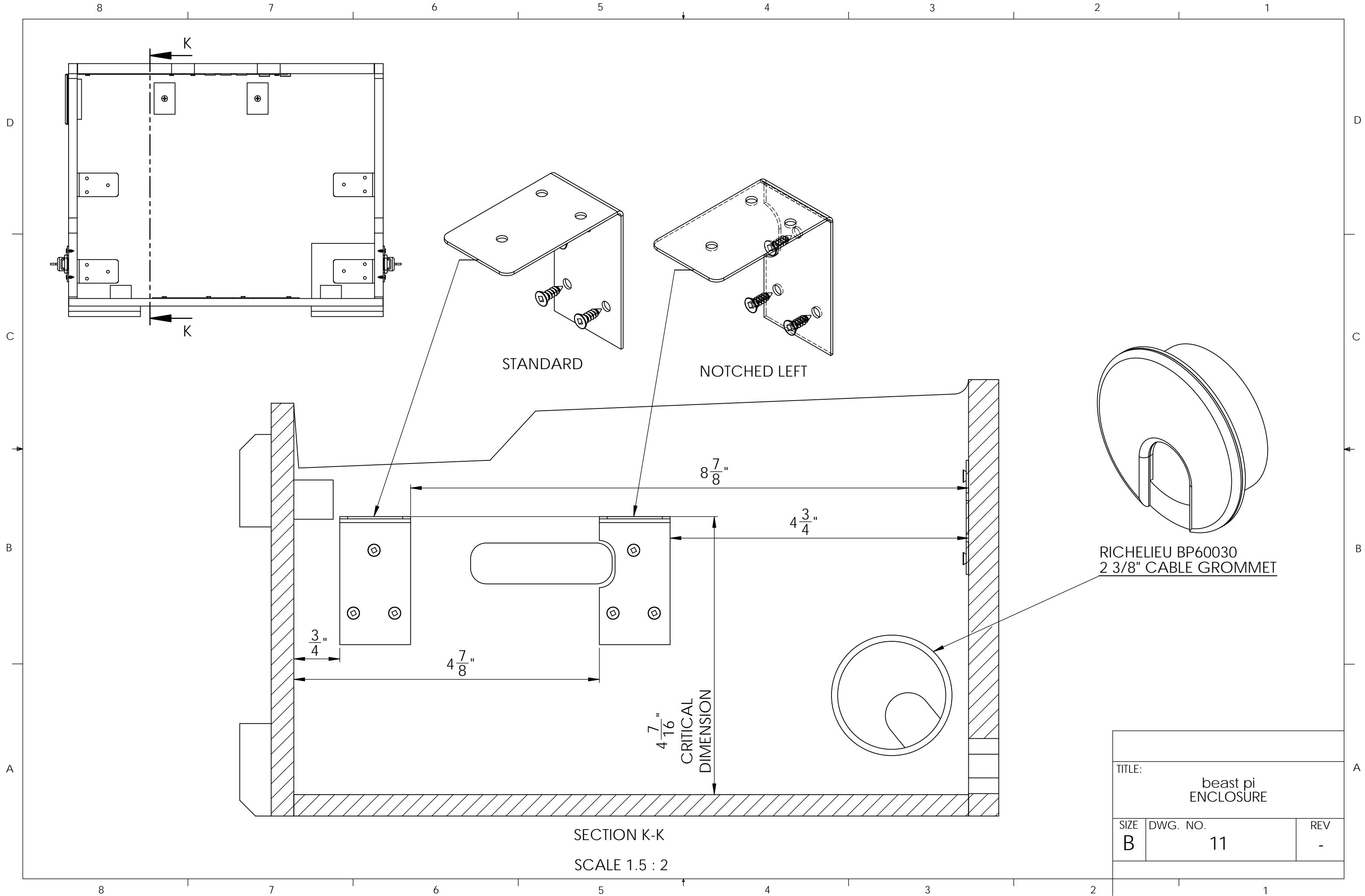


TITLE:		
beast pi ENCLOSURE		
SIZE	DWG. NO.	REV
B	08	-





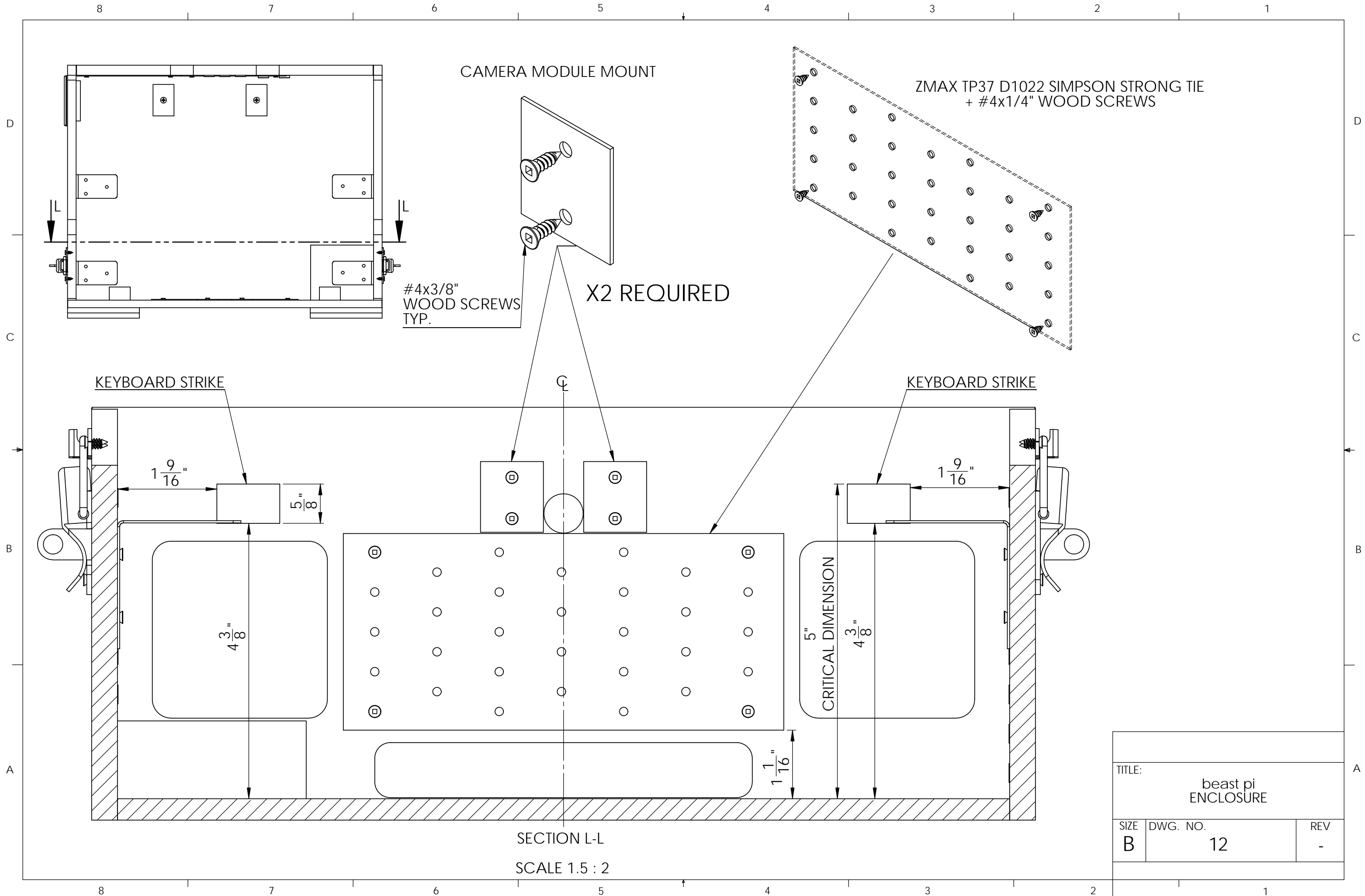
TITLE:		
beast pi ENCLOSURE		
SIZE	DWG. NO.	REV
B	10	-

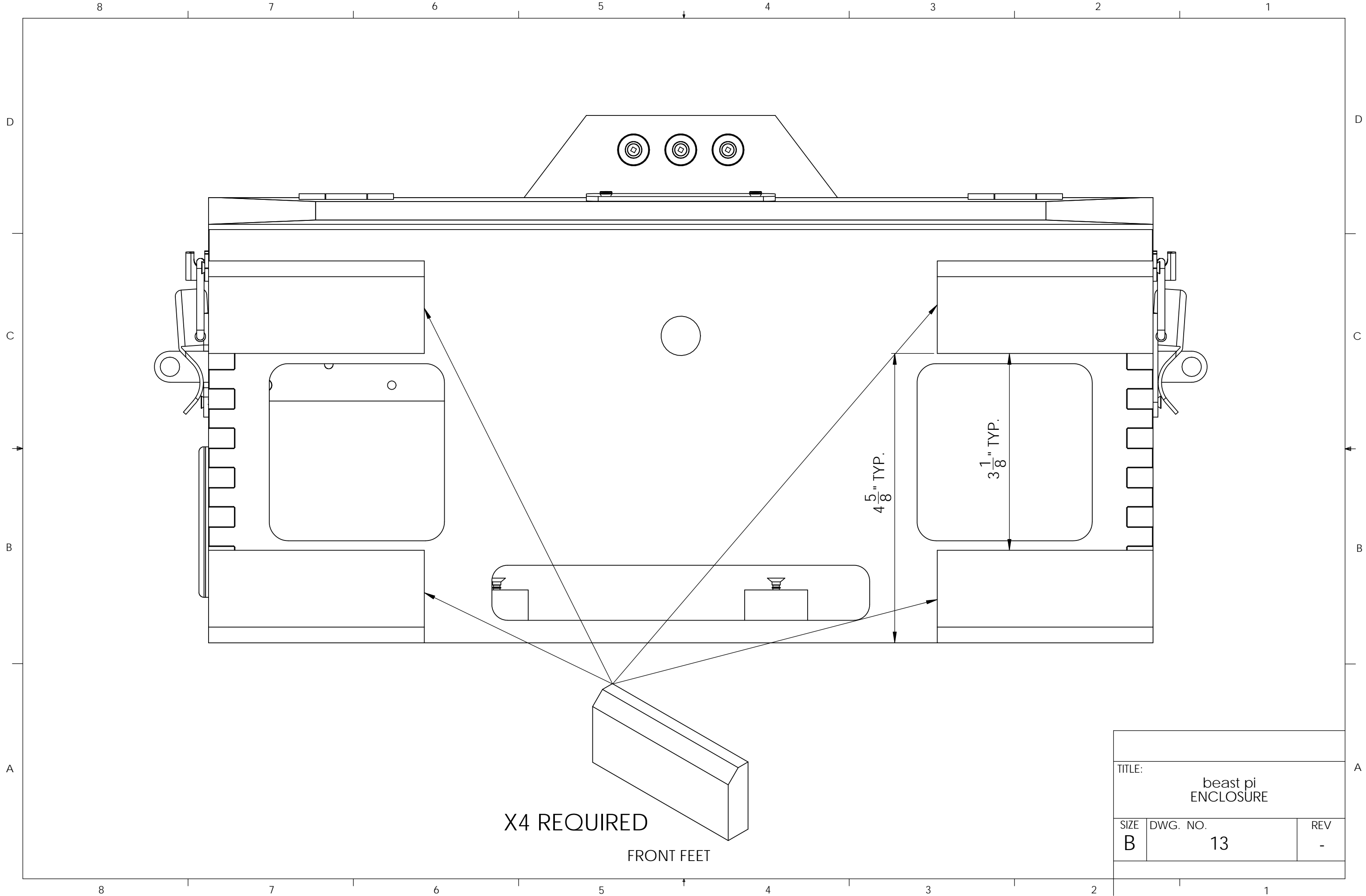


SECTION K-K
SCALE 1.5 : 2

RICHELIEU BP60030
2 3/8" CABLE GROMMET

TITLE:		
beast pi ENCLOSURE		
SIZE	DWG. NO.	REV
B	11	-

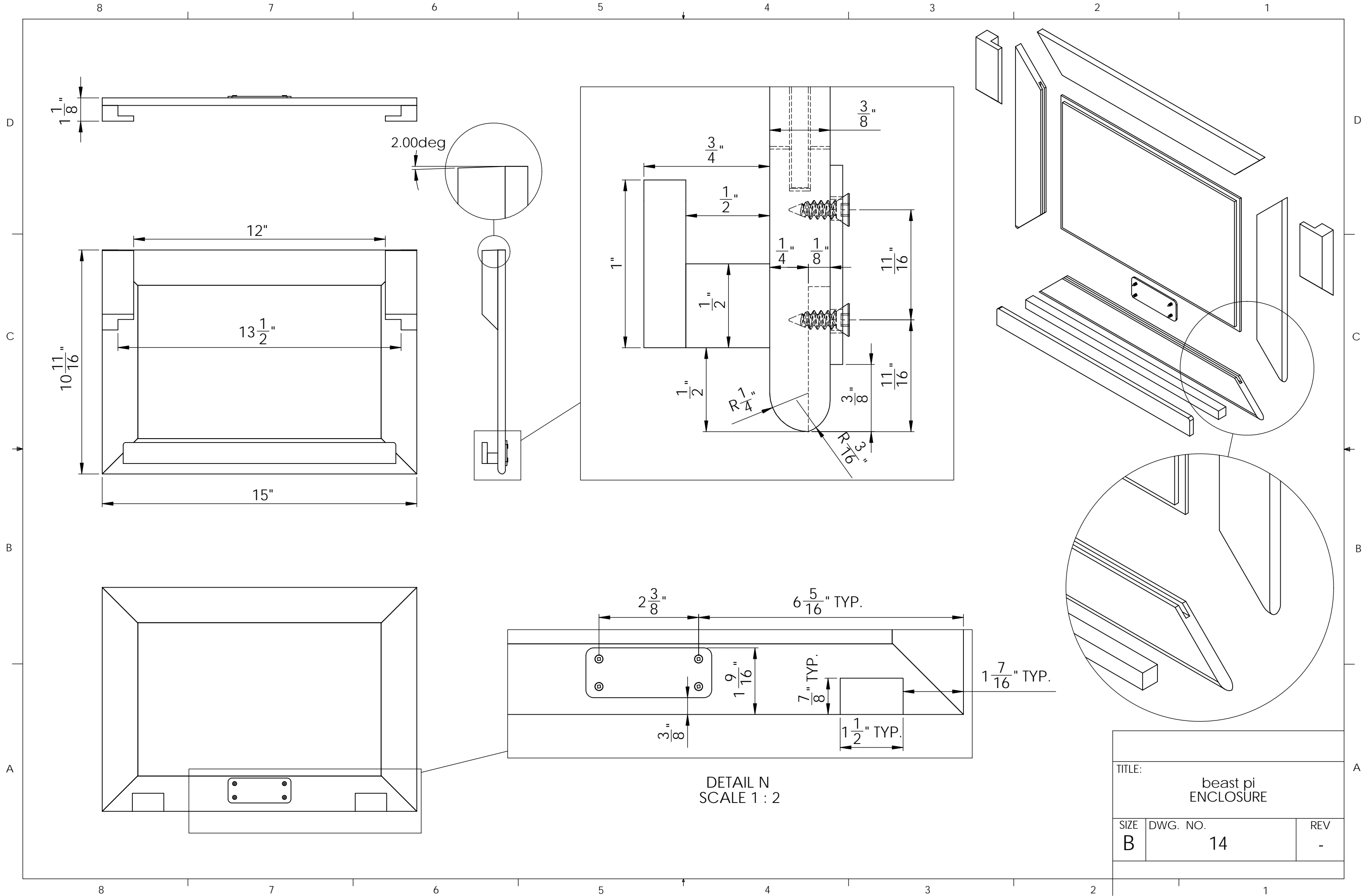




X4 REQUIRED

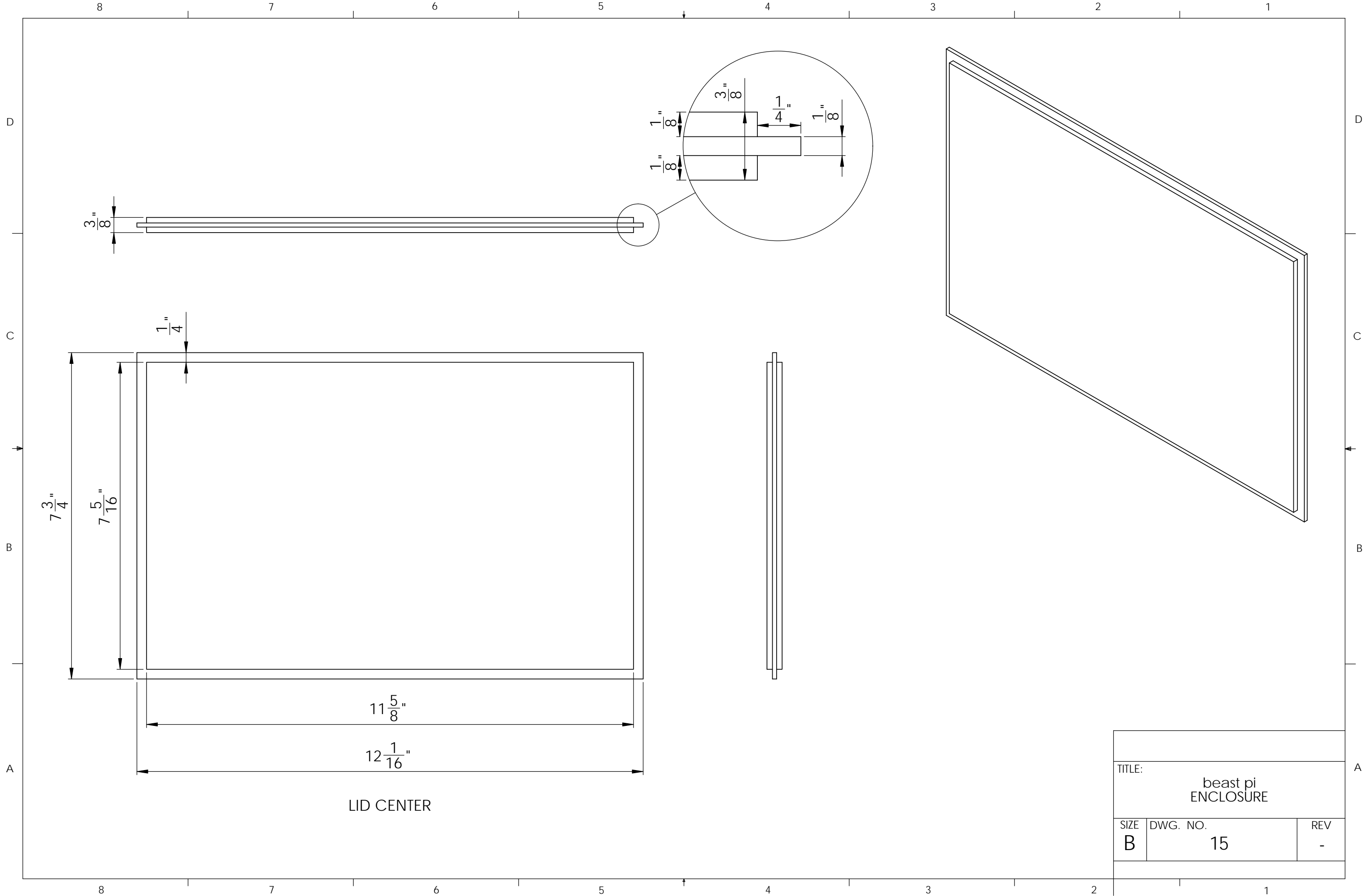
FRONT FEET

TITLE:		
beast pi ENCLOSURE		
SIZE	DWG. NO.	REV
B	13	-



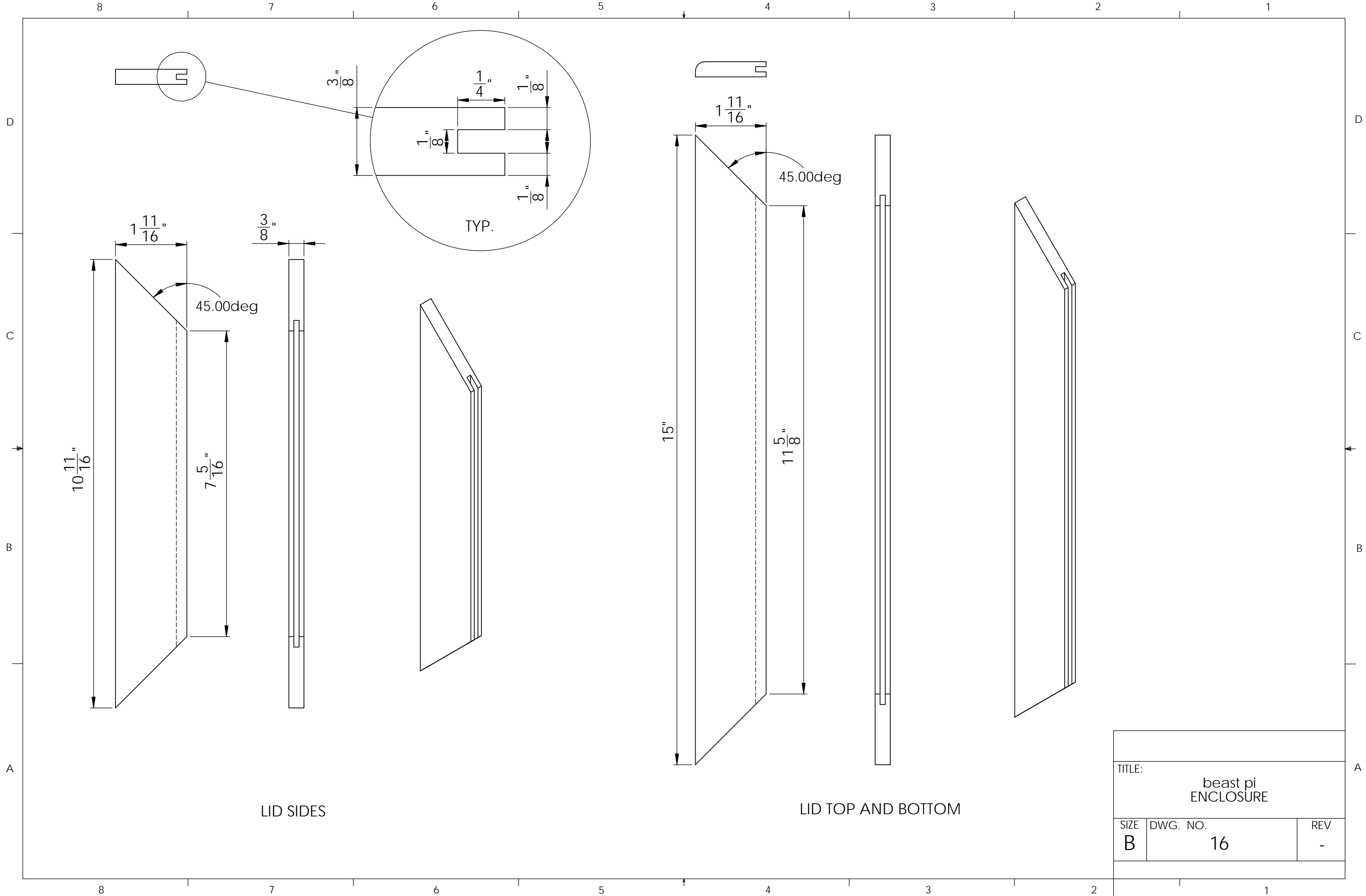
DETAIL N
 SCALE 1 : 2

TITLE:		
beast pi ENCLOSURE		
SIZE	DWG. NO.	REV
B	14	-



LID CENTER

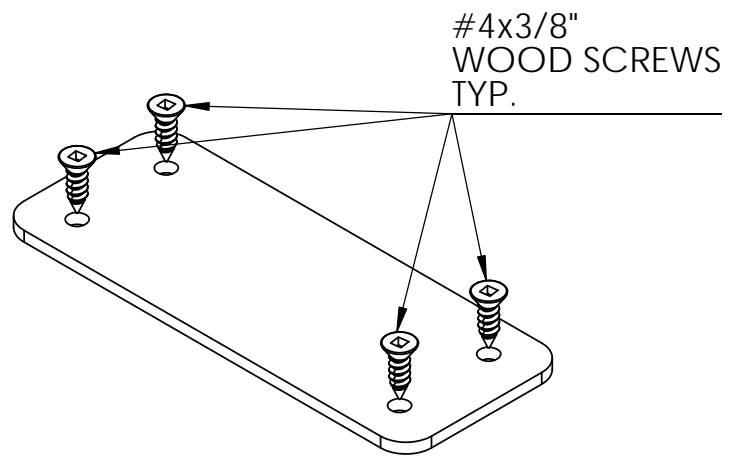
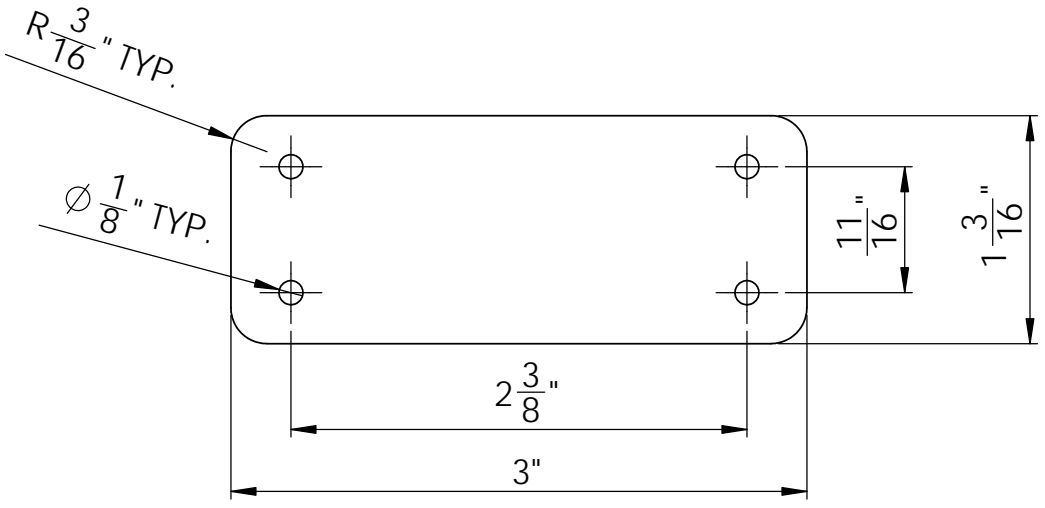
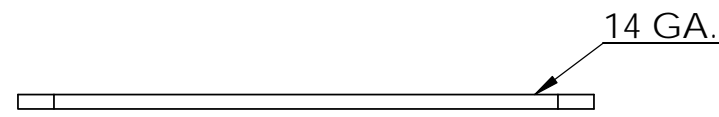
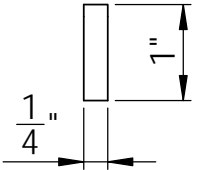
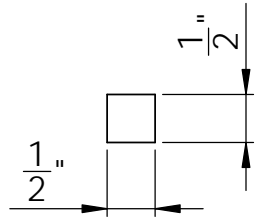
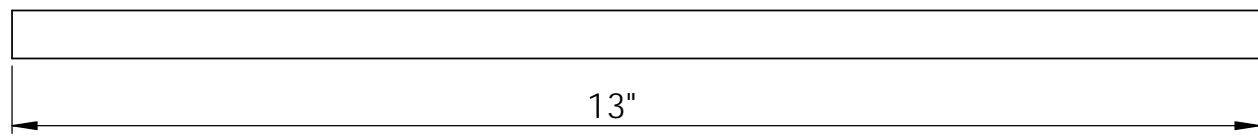
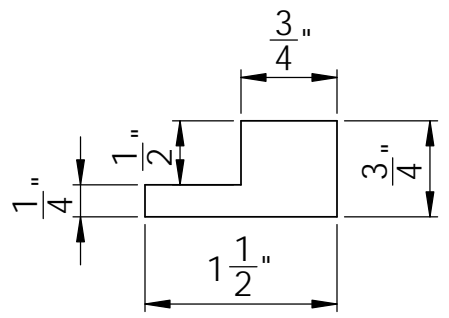
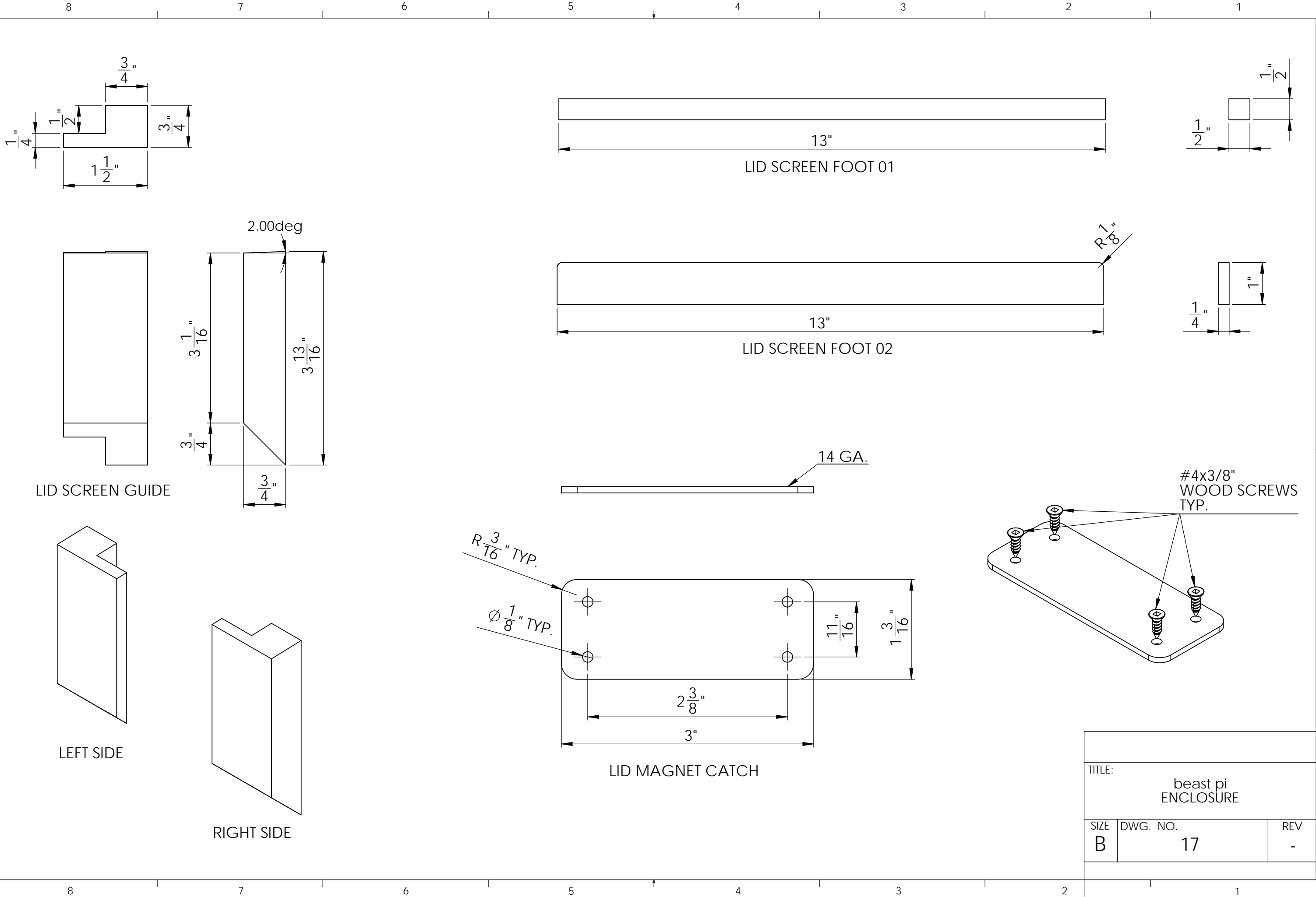
TITLE:		
beast pi ENCLOSURE		
SIZE	DWG. NO.	REV
B	15	-



LID SIDES

LID TOP AND BOTTOM

TITLE:		
beast pi ENCLOSURE		
SIZE	DWG. NO.	REV
B	16	-



LID SCREEN GUIDE

LID SCREEN FOOT 01

LID SCREEN FOOT 02

LEFT SIDE

RIGHT SIDE

LID MAGNET CATCH

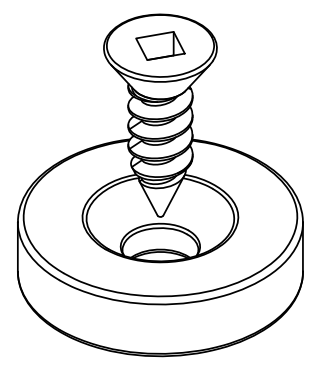
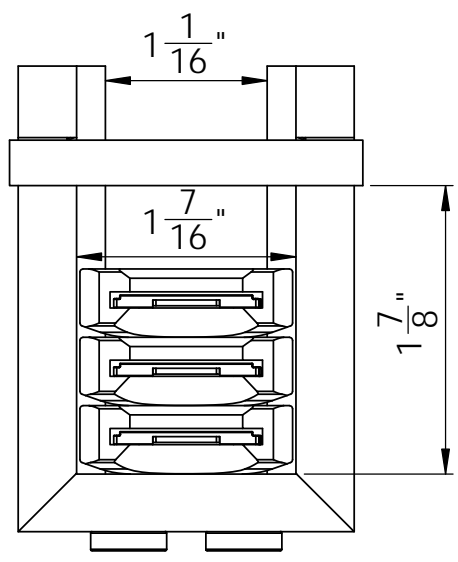
TITLE:
beast pi
ENCLOSURE

SIZE	DWG. NO.	REV
B	17	-

8 7 6 5 4 3 2 1

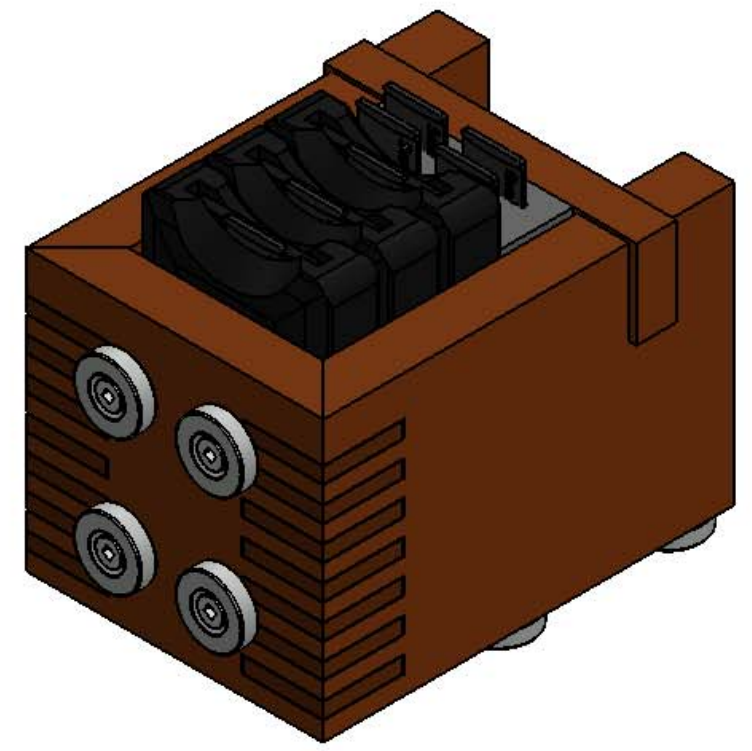
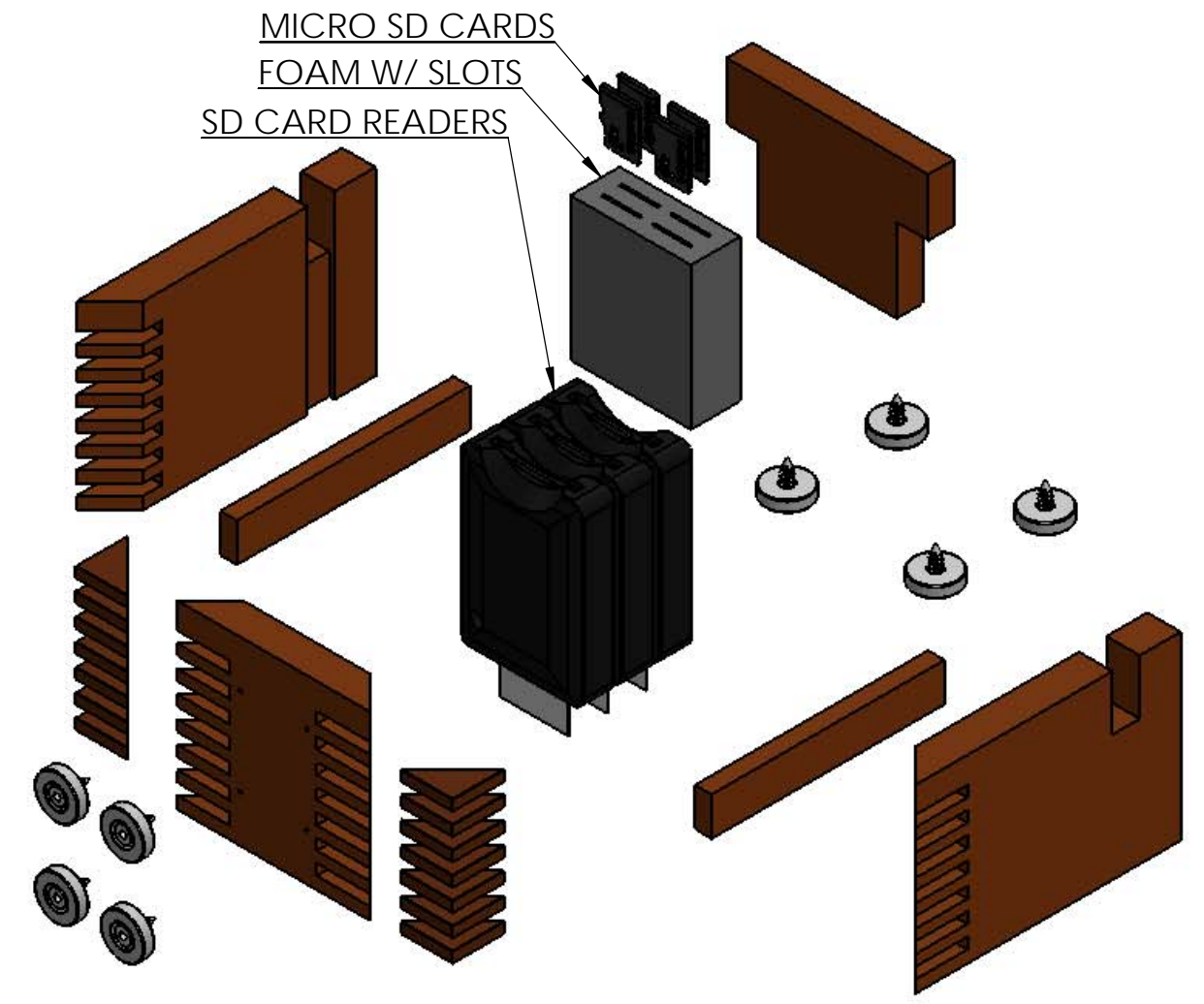
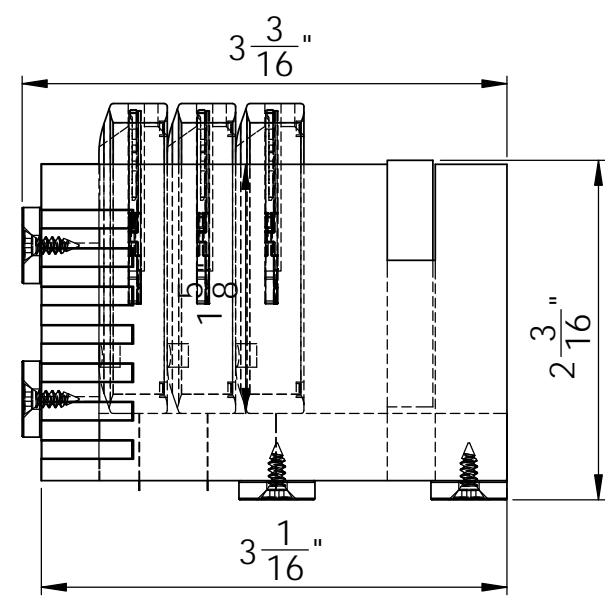
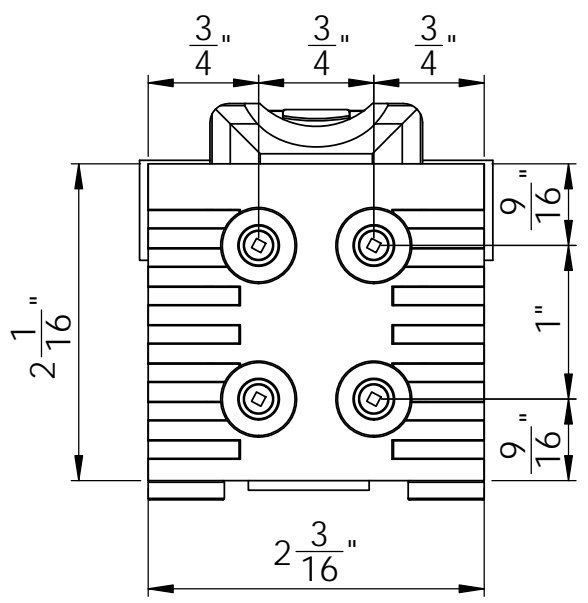
D
C
B
A

D
C
B
A



N52 MAGNET
1/2"ODx1/8"T
x5/16 COUNTERSUNK HOLE"
+ #4x3/8 WOOD SCREW

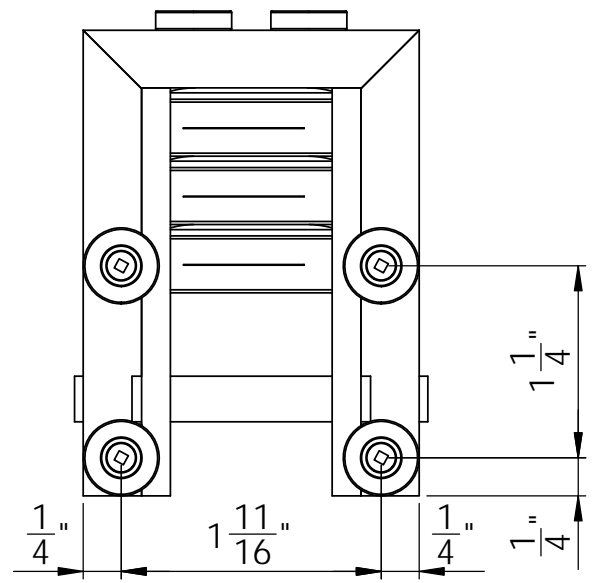
X8 REQUIRED



SD CADDY SHOWN WITH THREE SD CARD READERS FOR CONFIGURATION B.

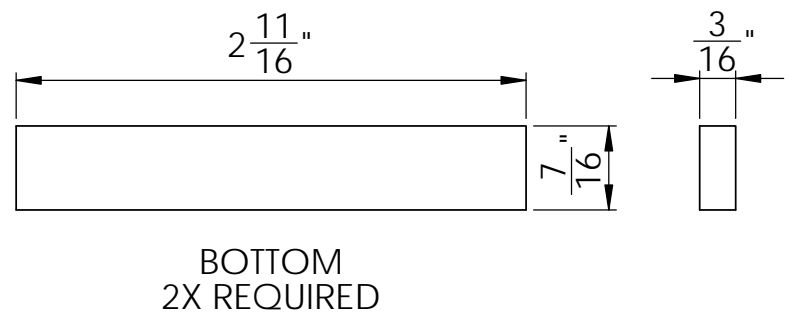
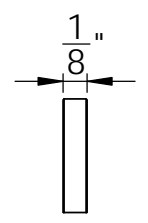
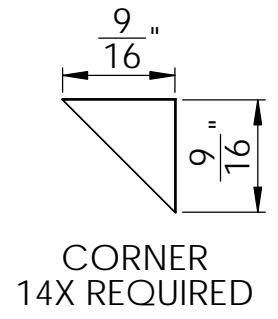
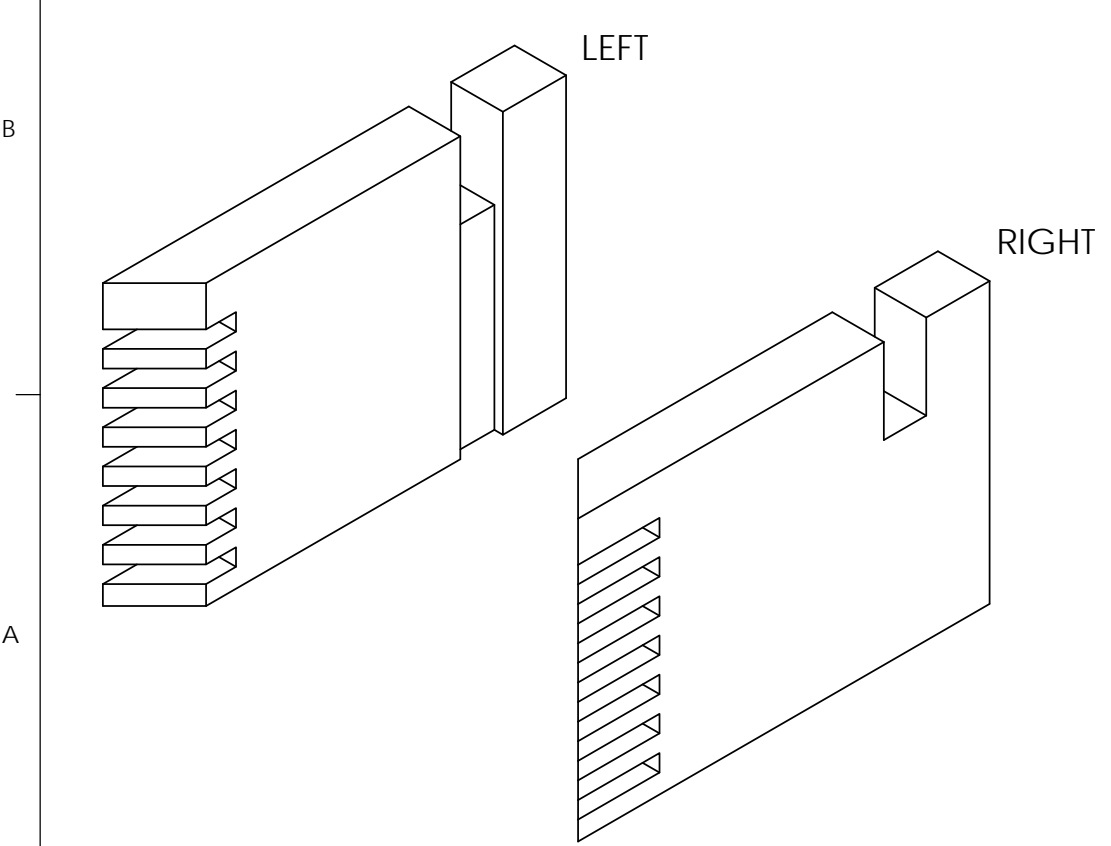
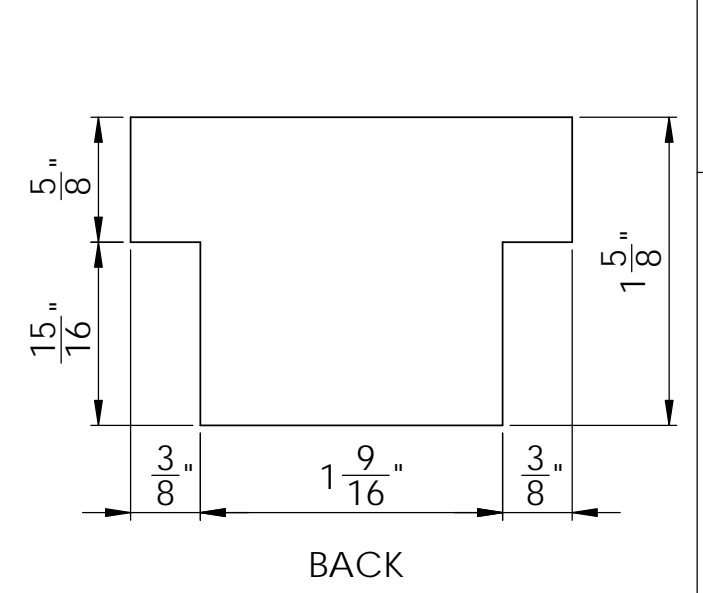
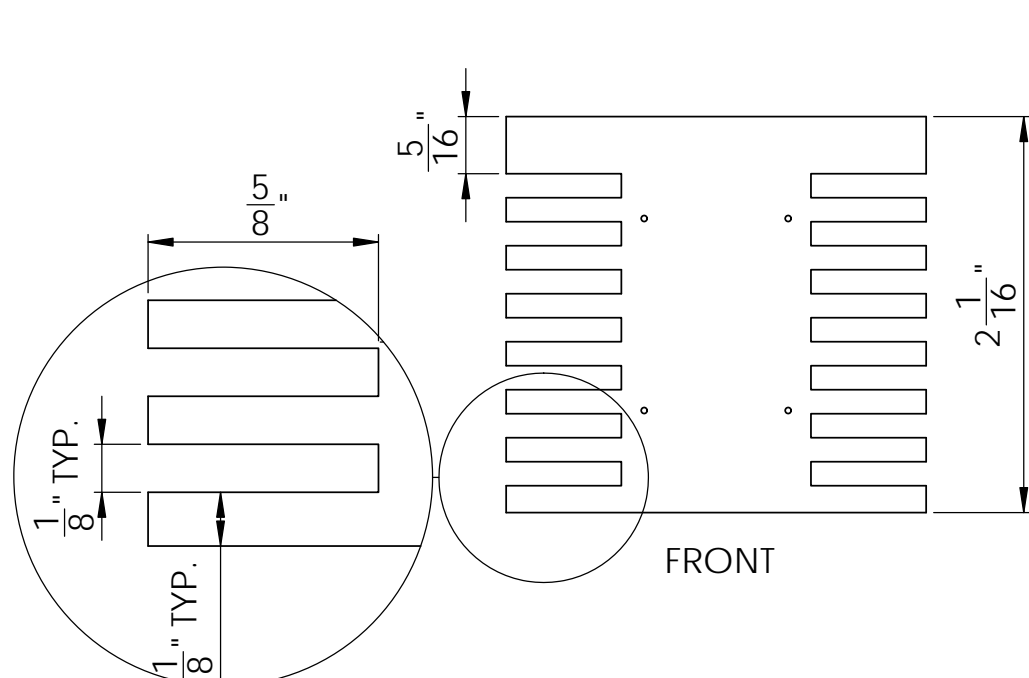
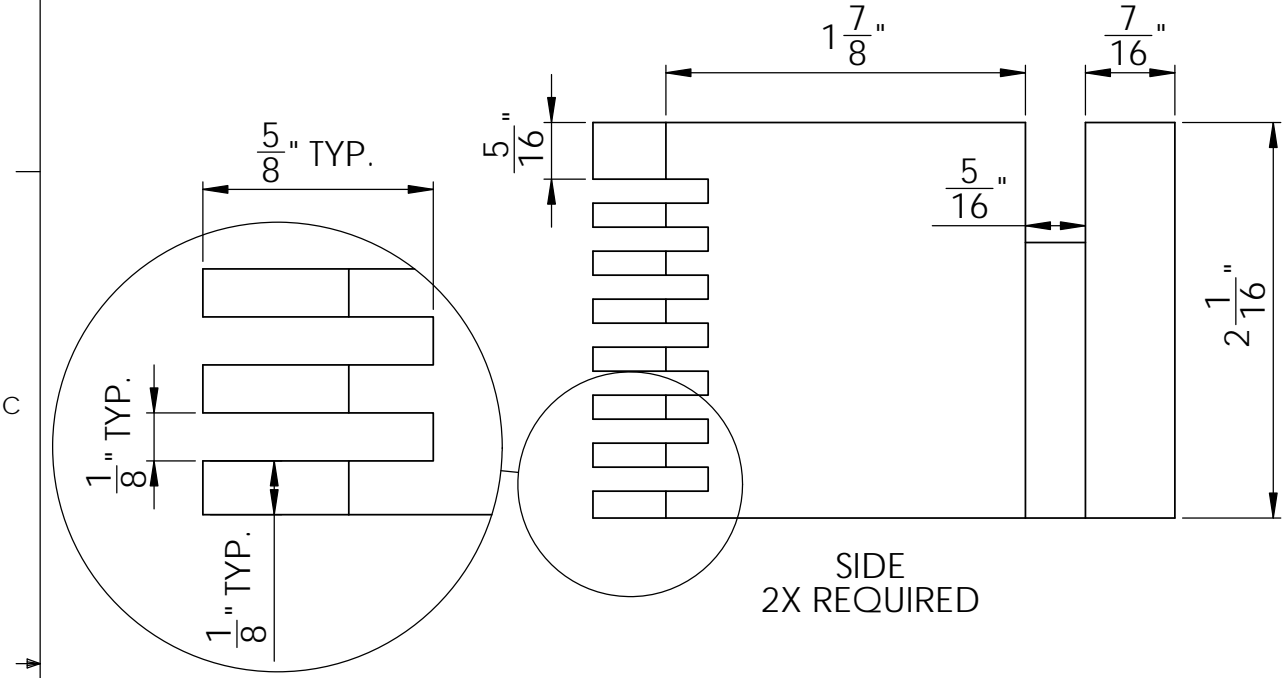
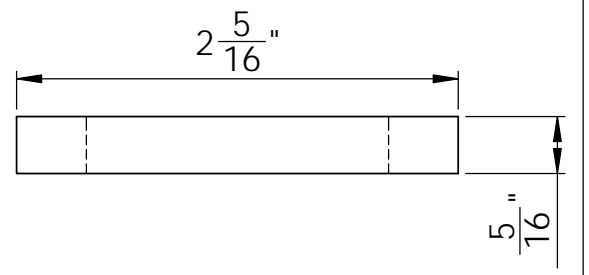
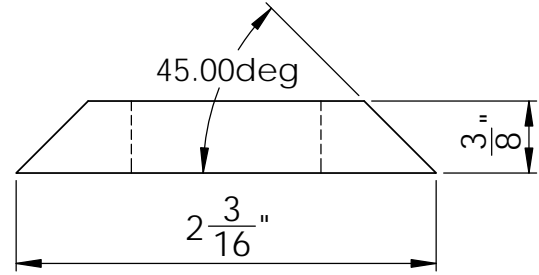
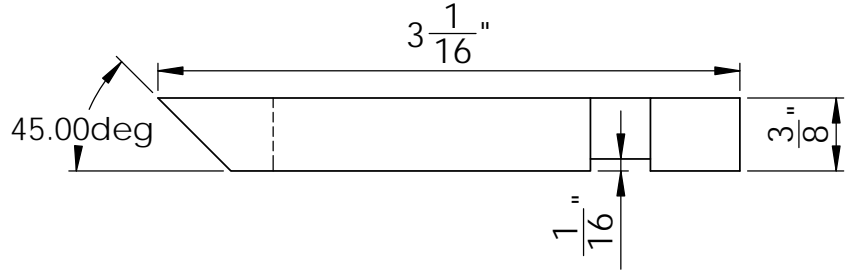
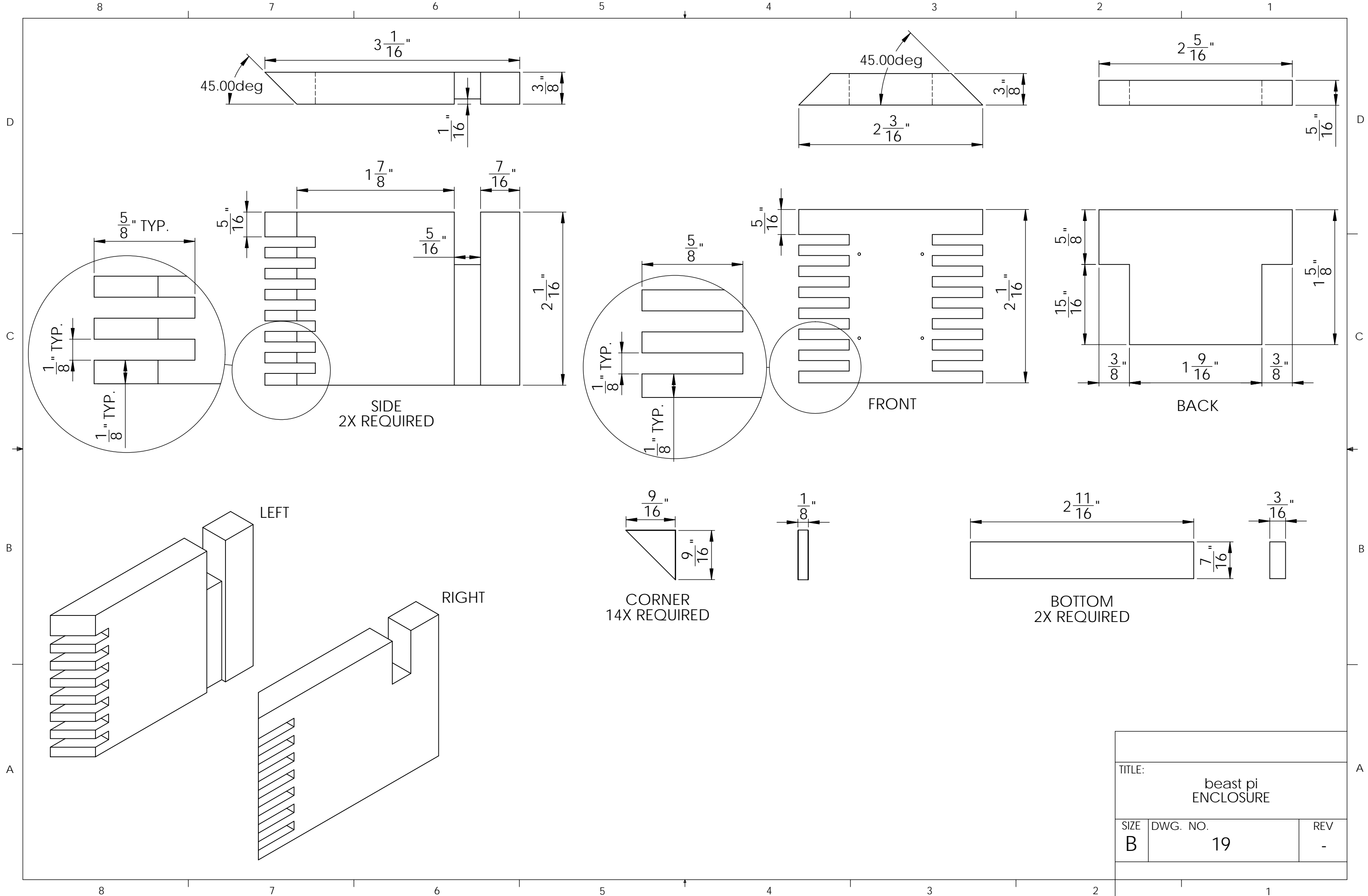
SD CADDY HAS ROOM FOR FOUR SD CARD READERS FOR CONFIGURATION A.

FOAM USED WILL NOT ALLOW STORAGE OF MICRO SD CARDS IN CONFIGURATION A.



8 7 6 5 4 3 2 1

TITLE:		
beast pi ENCLOSURE		
SIZE	DWG. NO.	REV
B	18	-



TITLE:		
beast pi ENCLOSURE		
SIZE	DWG. NO.	REV
B	19	-